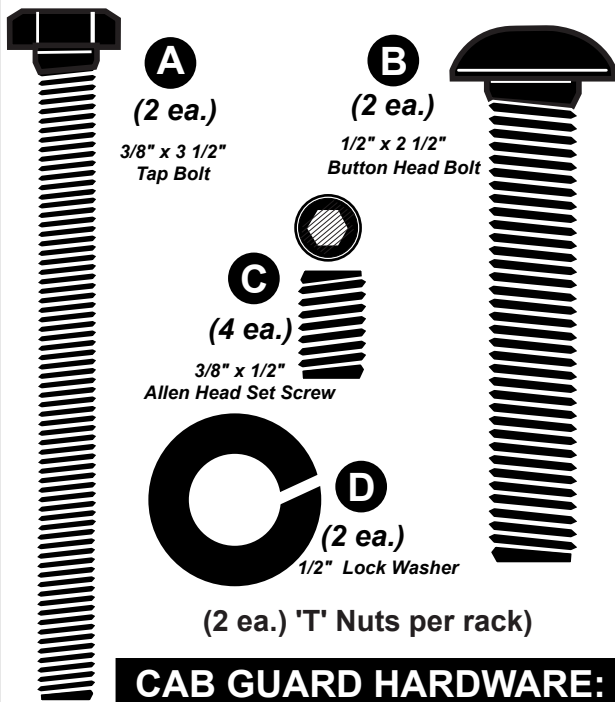
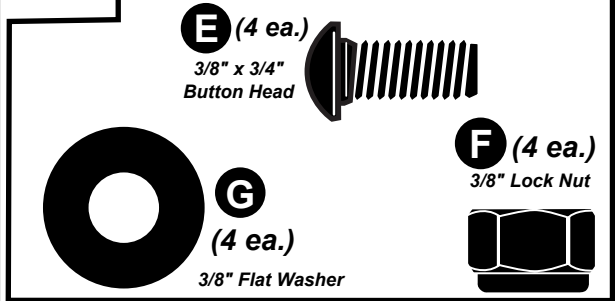


BOLT KIT FOR ONE SINGLE RACK



CAB GUARD HARDWARE:



STEP 1- Position the FRONT MOUNTING PLATES as far forward towards the cab as possible. Mark and drill a 3/8" hole through the MOUNT PLATE at the center of the stake pocket.

STEP 2- Position the T nut in the stake pocket (as shown below). Depending on the construction of your stake pocket, it may be easier to loosely attach the tap bolt and T nut to the MOUNT PLATE before positioning the T nut in the stake pocket.

OPTIONS:

Snug up against the bed rail sheet metal

OR,

If there are holes in the side of the stake pockets, position the T nut in those holes and then attach mount plate with tap bolt.

STEP 3- Snug the T nuts and with bolt B and lock washer D, snug the MOUNT PLATE CLIPS.

IF YOU ARE INSTALLING A CAB GUARD, SLIDE THE TWO CAB GUARD MOUNT CLIPS OVER EACH LEG NOW. See full instructions below.

STEP 4- Your rack can be set high or low by flipping the CROSSBAR SUPPORT, (as shown) Determine which is best for your vehicle and your cargo. For bowed canoes, we recommend the high position.

STEP 5- Plug the TOP of the CROSSBAR SUPPORT UPRIGHT with caps provided.

STEP 6- Insert the CROSSBAR into the CROSSBAR SUPPORTS and set the entire assembly on top of the legs. Cut CROSSBAR to shorten length, IF NEEDED, for the width of a mini-truck bed.

CENTER THE CROSSBAR LEFT TO RIGHT, and secure with set screws. Secure the CROSSBAR SUPPORT UPRIGHT to each leg with set screws.

STEP 7- Secure and TIGHTEN Mount Plate Clip to truck bed rail, and then TIGHTEN down ALL bolts on the rack.

THAT'S IT! You're ready to load and go!

- If you are installing an ECONO TRUCK RACK on the back of your truck bed, repeat the above. Before drilling the mounting plate, make sure that the plate does not overhang or interfere with the tail gate. Before inserting the Caps, make sure that the height setting in the rear matches the height setting in the front.

Econo Cab Guard Rack - 30080

- If you are installing an ECONO CAB GUARD RACK, attach the CAB GUARD to the CAB GUARD MOUNT CLIPS using bolts E, flat washers G, and nuts F, as shown.

CAB GUARD MOUNT CLIPS
(2 per leg)

